

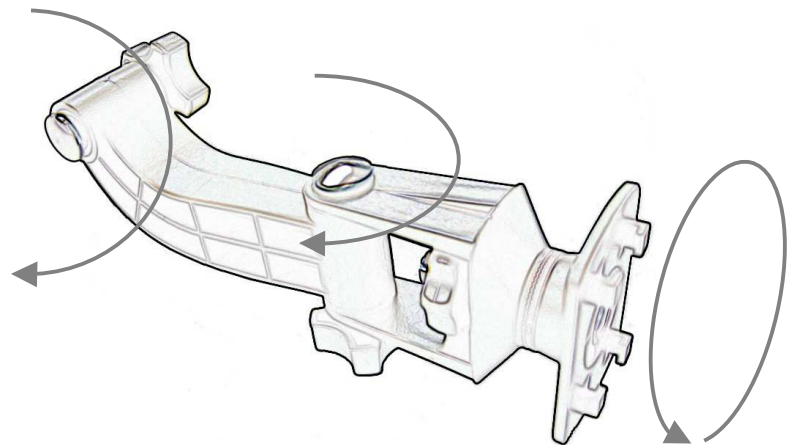
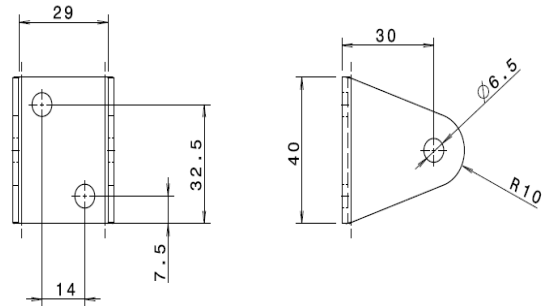
Holder for gps-antennas

Holder Typ HA-1-R for wall-mounting of gps-repeaters (Material Aluminium/ plastic)

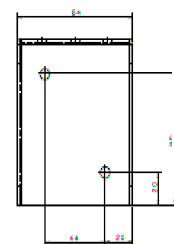
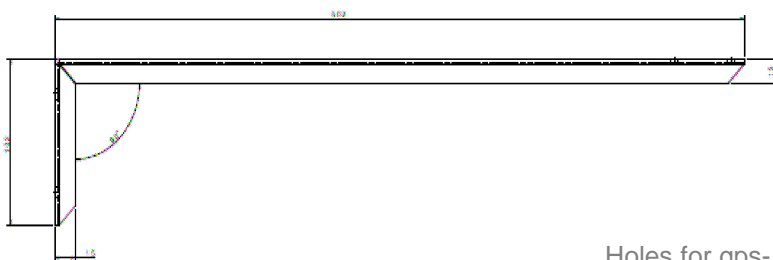
wall-mount-socket for holder



holder with 3D-adjustment

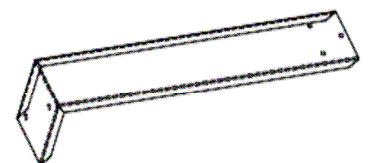
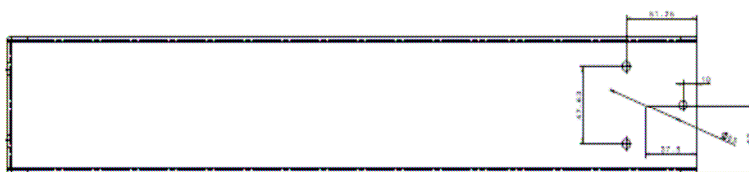


Holder Typ HA-2-A façade/wall-mounting of gps-antennas (Material Stainless Steel)



Wall-mounting with screws

Holes for gps-antenna AS47/48, SA/AS200, DS56, DS25 inkl. screws



Technische Ansicht
Skizzen: 1/2

1.4301
2mm dick